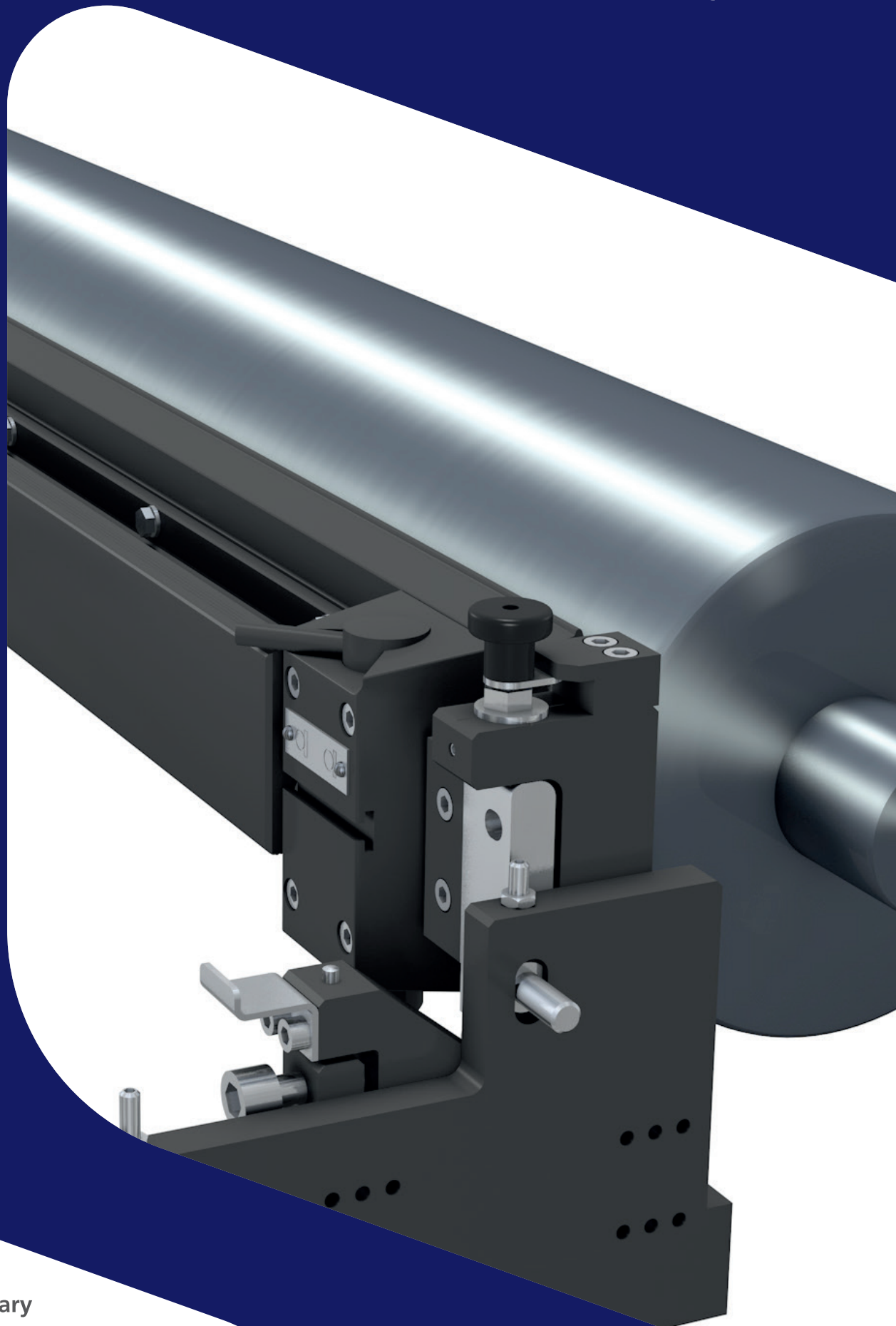
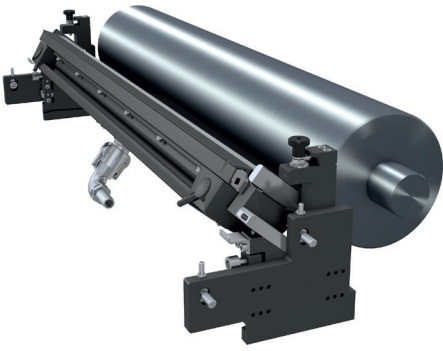




TRESU FlexiPrint Basic

Chamber Doctor Blade System





TRESU FlexiPrint Basic Chamber Doctor Blade Systems

The TRESU FlexiPrint Basic delivers a basic, compact construction with excellent price/performance ratio

- Anilox width from 80 up to 2000 mm Anilox diameter from 60 - 400 mm
- High quality doctoring for perfect printing
- For water-, UV- and solvent based ink and coatings

TRESU doctor blade clamping systems

- S-Line: Screw based, used e.g. for special coatings
- E-Line: For chamber widths up to 2000 mm

Different materials and surface treatments:

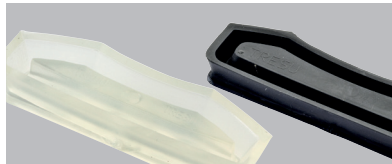
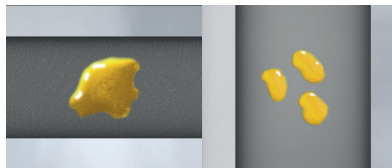
- Aluminium with Hard anodized w/o Teflon surface treatment - Standard
- Aluminium with Ceraflex surface treatment (patent pending) - High protection against ink and detergents with high and low PH-values

For applications such as:

- Open flow circulation system
- Pressure controlled ink/coating circulation with manual or closed loop control system, multiple in- and outlets
- Inline circulation and/or high pressure cleaning
- ATEX applications

To be adapted to all TRESU ink and coating systems but also other ink and coating systems.

High quality doctoring for perfect printing with the TRESU Easy Loc mechanical loading system. To be adapted to all TRESU ink and coating systems as well as other ink and coating systems



E-Line excentric
quick clamping solution

S-Line
screw clamping solution

Aluminum with Hard
anodized w/o Teflon
surface treatment
Aluminum with Ceraflex
surface treatment

Patented TRESU Seals
ensure perfect sealing

Easy lock/unlock

Technical Specifications

Profile	D1 - D5
Anilox Ø	60 - 400 mm
Anilox width	Up to 2000 mm
Speed	Up to 350 m/min
Clamping	E-Line quick change (option: S-Line)
Print Mode	Flow and Pressure mode
Inks/coatings	Water-, UV- or solvent based



The Best Part of Innovation

TRESU Group

14-16, Eegsvej
DK-6091 Bjert
Tel: +45 76 32 35 00
Fax: +45 76 32 35 10
tresu@tresu.com
www.tresu.com